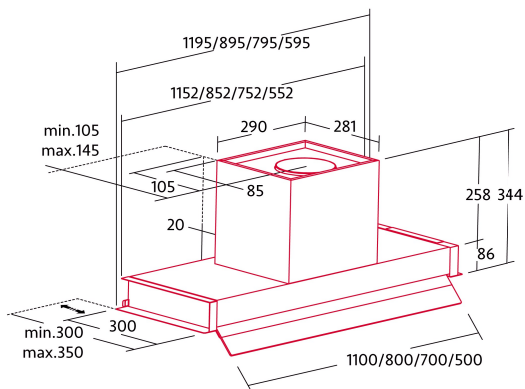




NorBreeze CROWN 120 NO DRIP SS

Cod. 4231

EAN 8435025742314



GENERAL INFORMATION

EAN/UPC	8435025742314
Subfamily	Integrated

Product sheet according to directives EU65/2014 - EN61591, EN60704-2-13, EN50564

AEC (Annual energy consumption) (kWh/year)	24,3
EI class (energy efficiency class)	A+
FDE (fluid dynamic efficiency)	38,5
FDE class (fluid dynamic efficiency class)	A
LE (light efficiency) (lux/W)	21
LE class (light efficiency class)	B
GFE (grease filtering efficiency)	63,5
GFE class (grease filtering efficiency class)	D
Airflow in normal mode MIN (m3/h)	186
Airflow in normal mode MAX (m3/h)	581,4
Airflow in boost mode MIN (m3/h)	799,2
Acoustic power in normal mode MIN (dB)	46
Acoustic power in normal mode MAX (dB)	64
Acoustic power boost mode (dB)	69
Po (energy consumption in off mode) (W)	0,4
Ps (energy consumption in standby mode) (W)	0

Integration directive EU 66/2014

f (time increase factor)	0,6
EI (Energy Efficiency Index)	37,6
QBEP (maximum efficiency at air flow point) (m3/h)	341
PBEP (maximum efficiency at pressure point) (Pa)	329
WBEP (power consumption at maximum efficiency) (W)	80,9
WL (nominal power lighting system) (W)	9
EMIDDLE (Average illuminance on the cooking surface) (lux)	187

External Dimensions

Width (mm)	1200
Depth (mm)	300
Maximum total height (mm)	334
Minimum total height (mm)	334
Diamètre de sortie (mm)	150

Characteristics

Motor quantity	1
Motor model	BT5DC-800
Maximum pressure (Pa)	431,4
Filter technology	Malla
Control technology	Electronic Touch Control
Booster	√
Power levels	6
Timer	√
Filter saturation indicator	√
Charcoal filter replacement indicator	√
Dimmer function	√
Connectivity	No
Remote control	-
Display	-

Lighting

Light model	SSLED
Ray technology	LED

Installation

Minimum distance to electric plate (mm)	450
Minimum distance to gas plate (mm)	650
Recirculation option	√
Charcoal filter	-
Back draught shutter	No
Inner shield	√

Electric connection

Nominal voltage (V)	220-240
Nominal frequency (Hz)	50/60
Nominal input power (W)	149
Electric shock protection	Class I
Power cord length (m)	1
Plug type	No plug

Accessories

Upper decorative duct extension	02861307
Back draught shutter	02832004
Activated charcoal filter	02859398
Noiseless flexible duct	02893002