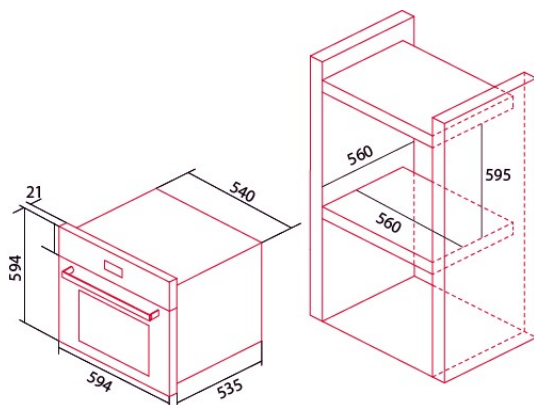
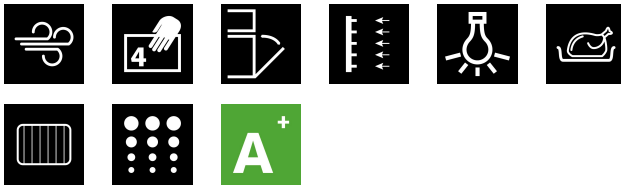




NorChef PO 6601 DB

Cod. 2190

EAN 8422248348164



GENERAL INFORMATION

EAN/UPC	8422248348164
Subfamily	Pyrolytic

Product sheet

Energy Efficiency Index (EEI)	78
Energy efficiency class	A+
Energy consumption in conventional mode (kWh/cycle)	0,64
Energy consumption in fan mode (kWh/cycle)	0,98
Heat source	Electricity
Appliance mass [Kg]	44,7
Number of cavities	1
Cavity volume (L)	65

Dimensions

Width (mm)	560
Height (mm)	595
Depth (mm)	560

Controls

Control type	Electronic
Display	WHITE
Number of functions	10
Functions	Defrosting:Double grill with fan;Pyro;3D cooking;Bottom heating with fan;Eco;Top and bottom heating;Light;Double Grill;Grill
On/off indicator	√
Minimum temperature [°C]	50
Maximum temperature [°C]	250
Maximum steam temperature [°C]	460

Characteristics

Cleaning	Pirolisis
Enamel	Pyrolytic
Drop down grill	√
Removable inner glass	√
Number of light bulbs	25
Bulb power [W]	2
Number of door glasses	4
Soft close	√
Cavity type	Flat
Side racks	√
Levels	5
Telescopic guides	1
Convection fan	√

Electrical connection

Power of the upper heating element [W]	1000
Lower power of the heating element [W]	1100
Nominal voltage (V)	220-240
Nominal frequency (Hz)	50/60
Plug type	No plug

Accessories

Deep tray	√
Grill	√
Telescopic guides	√