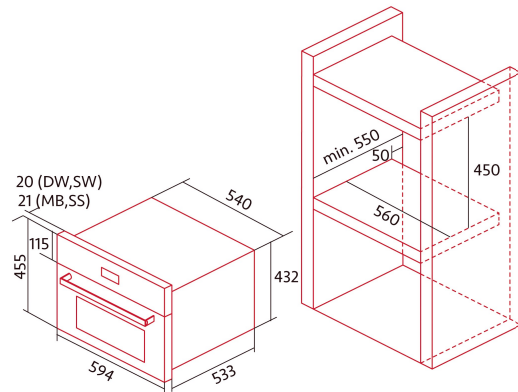




NorChef SO 4600 SW

Cod. 2146

EAN 8422248348287



GENERAL INFORMATION

EAN/UPC	8422248348287
Subfamily	Compact

Product sheet

Heat source	Electricity
Appliance mass [Kg]	34,2
Number of cavities	1
Cavity volume (L)	34

Dimensions

Width (mm)	594
Height (mm)	453
Depth (mm)	562
Built-in width (mm)	594
Built-in height (mm)	432
Built-in depth (mm)	533

Controls

Control type	Mechanical
Display	WHITE
Number of functions	5
Functions	Grill;Steam;Decaling
Timer	Electronic
On/off indicator	√
Thermostat indicator	√
Minimum temperature [°C]	30
Maximum temperature [°C]	230
Minimum steam temperature [°C]	40
Maximum steam temperature [°C]	100

Characteristics

Cleaning	No
Enamel	No
Drop down grill	-
Removable inner glass	√
Light type	LED
Number of light bulbs	20
Bulb power [W]	1
Number of door glasses	3
Manual door lock	√
Soft close	-
Cavity type	Flat
Side racks	√
Levels	4
Telescopic guides	No
Convection fan	-

Safety

Cooling fan	√
Overheating protection	√
Automatic safety shutdown	√

Electrical connection

Nominal voltage (V)	220-240
Nominal frequency (Hz)	50/60
Nominal input power (W)	1200
Plug type	No plug

Accessories

Deep tray	-
Steam tray	√
Grill	√
Inner grill	√
Tray handle	-
Removable tank	√
Pizza stone	-
Roast kit	-

