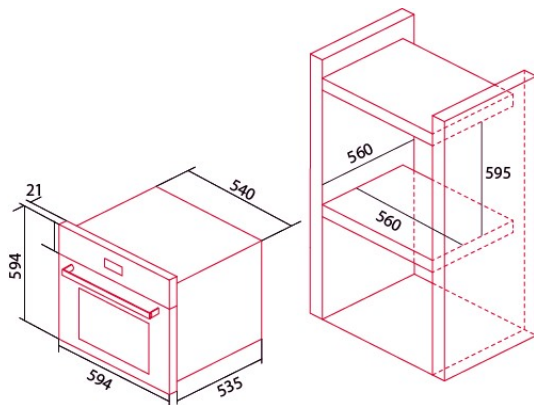
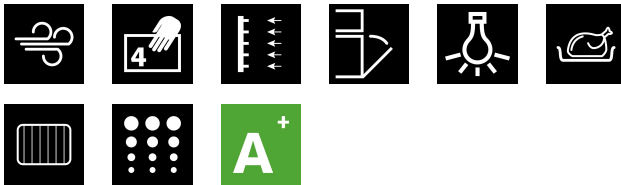




NorChef PO 6601 SW

Cod. 2144

EAN 8422248348263



GENERAL INFORMATION

EAN/UPC	8422248348263
Subfamily	Pyrolytic

Product sheet

Energy Efficiency Index (EEI)	78
Energy efficiency class	A+
Energy consumption in conventional mode (kWh/cycle)	0,64
Energy consumption in fan mode (kWh/cycle)	0,98
Heat source	Electricity
Appliance mass [Kg]	65
Number of cavities	1
Cavity volume (L)	65

Dimensions

Width (mm)	5400
Height (mm)	5940
Depth (mm)	5550
Built-in width (mm)	5600
Built-in height (mm)	5950
Built-in depth (mm)	5600

Controls

Number of functions	10
Functions	Fan:Grill:Grill and fan:Light:Pyro:Top and bottom heating:Bottom heating with fan:Defrosting:Double Grill:Eco
Timer	Electronic
On/off indicator	√
Minimum temperature [°C]	50
Maximum temperature [°C]	250
Thermal probe	-

Characteristics

Cleaning	Pirolisis
Enamel	Pyrolytic
Drop down grill	-
Removable inner glass	√
Light type	LED
Number of light bulbs	25
Bulb power [W]	2
Number of door glasses	4
Soft close	√
Cavity type	Flat
Side racks	√
Levels	5
Convection fan	√

Safety

Cooling fan	√
Automatic safety shutdown	-
Pyrolysis door lock	√

Electrical connection

Power of the upper heating element [W]	1200
Lower power of the heating element [W]	1100
Turbocharger power [W]	3350
Nominal voltage (V)	220-240
Nominal frequency (Hz)	50/60
Electric shock protection	Class I
Power cord length (m)	1000
Plug type	No plug

Accessories

Flat tray	√
Deep tray	-
Steam tray	-
Grill	√
Inner grill	√
Telescopic guides	-
Tray handle	-
Removable tank	-
Pizza stone	-
