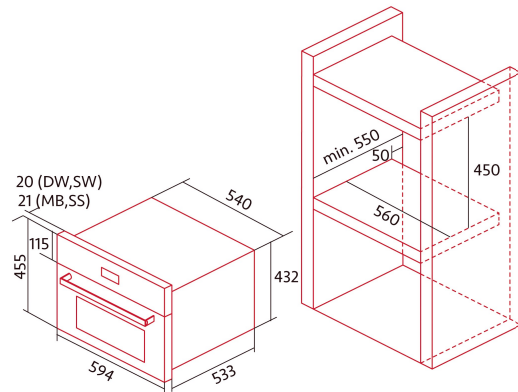




## NorChef SO 4600 MB

Cod. 2140

EAN 8422248348362



### GENERAL INFORMATION

EAN/UPC	8422248348362
Subfamily	Steam

### Product sheet

Heat source	Electricity
Number of cavities	1
Cavity volume (L)	34

### Dimensions

Width (mm)	595
Height (mm)	596
Depth (mm)	560

### Controls

Control type	Mechanical
Display	WHITE
Number of functions	5
Functions	Steam;Grill;Grill;Steam
Thermostat indicator	√
Minimum temperature [°C]	30
Maximum temperature [°C]	230
Minimum steam temperature [°C]	40
Maximum steam temperature [°C]	100

### Characteristics

Cleaning	No
Enamel	No
Drop down grill	-
Removable inner glass	-
Light type	LED
Bulb power [W]	1
Number of door glasses	3
Manual door lock	-
Soft close	-
Levels	4
Telescopic guides	No

### Safety

Cooling fan	√
Automatic safety shutdown	√
Pyrolysis lock indicator	√

### Electrical connection

Nominal voltage (V)	220-240
Nominal frequency (Hz)	50/60

### Accessories

Flat tray	-
Deep tray	-
Steam tray	√
Grill	√
Inner grill	√
Telescopic guides	-
Tray handle	-
Removable tank	√
Pizza stone	-
Roast kit	-