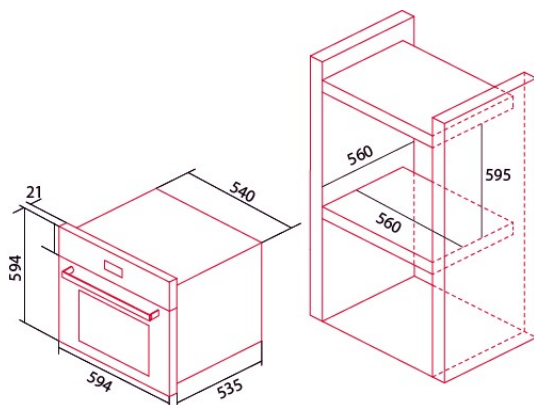
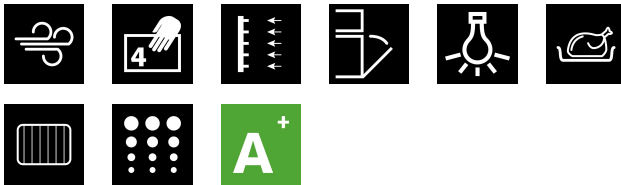




NorChef PO 6601 MB

Cod. 2137

EAN 8422248348348



GENERAL INFORMATION

EAN/UPC	8422248348348
Subfamily	Pyrolytic

Product sheet

Energy efficiency class	A+
Number of cavities	1

Dimensions

Width (mm)	594
Height (mm)	584
Depth (mm)	538
Built-in width (mm)	560
Built-in height (mm)	585
Built-in depth (mm)	550

Controls

Control type	Touch control
Display	WHITE
Number of functions	15
Timer	Electronic
On/off indicator	√
Thermostat indicator	√
Minimum temperature [°C]	50
Maximum temperature [°C]	450
Thermal probe	-

Characteristics

Cleaning	Pirolisis
Enamel	Pyrolytic
Drop down grill	-
Removable inner glass	√
Light type	Halogen
Number of light bulbs	20
Bulb power [W]	2
Number of door glasses	4
Manual door lock	-
Soft close	-

Safety

Cooling fan	√
Overheating protection	√
Automatic safety shutdown	-
Pyrolysis door lock	√
Pyrolysis lock indicator	√

Electrical connection

Nominal voltage (V)	230
Nominal frequency (Hz)	50
Nominal input power (W)	3450
Electric shock protection	Class I
Plug type	No plug

Accessories

Flat tray	-
Deep tray	√
Steam tray	-
Grill	√
Inner grill	√
Telescopic guides	√
Tray handle	-
Removable tank	-
Pizza stone	-
Roast kit	-

