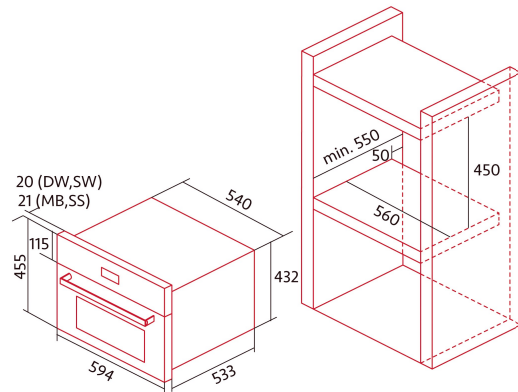




NorChef SO 4600 DB

Cod. 2133

EAN 8422248348188



GENERAL INFORMATION

EAN/UPC	8422248348188
Subfamily	Steam

Product sheet

Heat source	Electricity
Appliance mass [Kg]	34,2
Number of cavities	1
Cavity volume (L)	34

Dimensions

Width (mm)	560
Height (mm)	450
Depth (mm)	550

Controls

Control type	Mechanical
Display	WHITE
Number of functions	2
Functions	Grill;Grill;Steam;Steam
Timer	Electronic
On/off indicator	√
Thermostat indicator	√
Minimum temperature [°C]	30
Maximum temperature [°C]	230
Minimum steam temperature [°C]	40
Maximum steam temperature [°C]	100

Characteristics

Light type	LED
Bulb power [W]	1
Number of door glasses	3
Manual door lock	√
Soft close	-
Levels	4
Convection fan	-

Safety

Overheating protection	√
Automatic safety shutdown	√

Electrical connection

Nominal voltage (V)	220-240
Nominal frequency (Hz)	50/60
Nominal input power (W)	1200
Plug type	No plug

Accessories

Steam tray	√
Grill	√
Inner grill	√