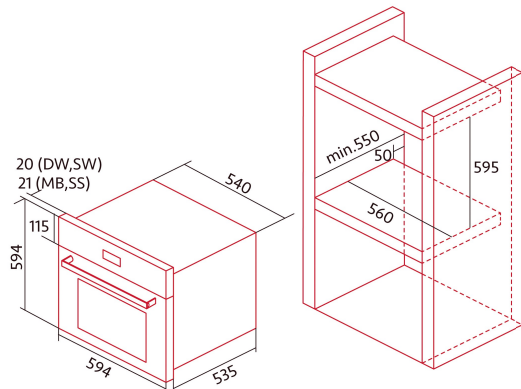




Norchef MO 6600 DB

Cod. 2131

EAN 8422248348171



GENERAL INFORMATION

EAN/UPC	8422248348171
Subfamily	Multifunction

Product sheet

Energy Efficiency Index (EEI)	93,9
Energy efficiency class	A
Energy consumption in conventional mode (kWh/cycle)	0,93
Energy consumption in fan mode (kWh/cycle)	0,77
Heat source	Electricity
Number of cavities	1
Cavity volume (L)	65

Dimensions

Width (mm)	595
Height (mm)	596
Depth (mm)	560
Built-in width (mm)	415
Built-in height (mm)	470
Built-in depth (mm)	333

Controls

Control type	Mechanical
Display	WHITE
Number of functions	9
Functions	Turbo heating;Grill;Light;Pyro;Top heating with fan;Bottom heating with fan;Defrosting;Double Grill;Eco
Timer	Mechanical
On/off indicator	√
Thermostat indicator	√
Minimum temperature [°C]	50
Maximum temperature [°C]	250

Characteristics

Cleaning	Pirolisis
Enamel	Easy cleaning Nclean enamel
Drop down grill	-
Removable inner glass	√
Light type	LED
Number of light bulbs	20
Bulb power [W]	1
Number of door glasses	3
Soft close	-
Cavity type	Flat
Side racks	√
Levels	5
Convection fan	√

Safety

Cooling fan	√
Automatic safety shutdown	-
Pyrolysis door lock	-
Pyrolysis lock indicator	-

Electrical connection

Power of the upper heating element [W]	1000
Lower power of the heating element [W]	1100
Turbocharger power [W]	3500
Nominal voltage (V)	220-240
Nominal frequency (Hz)	50/60
Plug type	No plug

Accessories

Flat tray	-
Deep tray	√
Steam tray	-
Grill	√
Inner grill	√
Telescopic guides	√
Removable tank	-
Pizza stone	-
Roast kit	-
