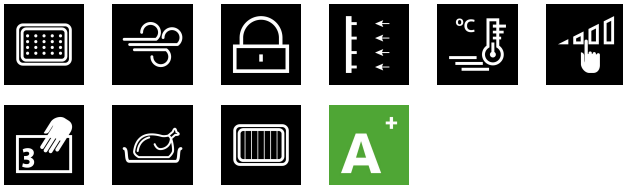




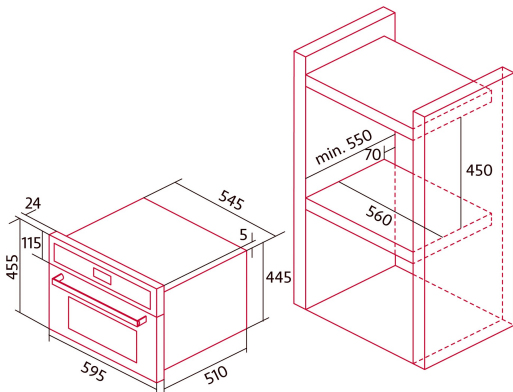
NorChef SO 4800 CU

Cod. 2125

EAN 8435025721258



2116_NorChef SO 4800 DB
2120_NorChef SO 4800 SW
2125_NorChef SO 4800 CU



GENERAL INFORMATION

EAN/UPC	8435025721258
Subfamily	Steam

Product sheet

Energy Efficiency Index (EEI)	67,8
Energy efficiency class	A+
Energy consumption in conventional mode (kWh/cycle)	0,59
Energy consumption in fan mode (kWh/cycle)	0,48
Heat source	Electricity
Appliance mass [Kg]	28,7
Number of cavities	1
Cavity volume (L)	36

Dimensions

Width (mm)	595
Height (mm)	455
Depth (mm)	510
Built-in width (mm)	595
Built-in height (mm)	455
Built-in depth (mm)	510

Controls

Control type	Touch control
Display	LCD
Number of functions	8
Functions	Double_Grill;Top heating with fan;Turbo heating;Fast preheat;Defrosting;Steam;Steam and turbo heating;Steam with grill and fan;Light
Timer	Electronic
On/off indicator	√
Thermostat indicator	√
Minimum temperature [°C]	30
Maximum temperature [°C]	225
Minimum steam temperature [°C]	40
Maximum steam temperature [°C]	100
Thermal probe	-

Characteristics

Enamel	No
Drop down grill	-
Removable inner glass	√
Number of light bulbs	15
Bulb power [W]	1
Number of door glasses	3
Manual door lock	-
Soft close	-
Cavity type	Embossed
Side racks	-
Levels	4
Telescopic guides	No
Convection fan	√

Safety

Cooling fan	√
Overheating protection	√
Automatic safety shutdown	-
Pyrolysis door lock	-
Pyrolysis lock indicator	-

Electrical connection

Turbocharger power [W]	1600
Nominal voltage (V)	220-240
Nominal frequency (Hz)	50
Nominal input power (W)	3050
Electric shock protection	Class I
Power cord length (m)	1,2
Plug type	No plug

Accessories

Flat tray	-
Deep tray	√
Steam tray	√
Grill	√
Inner grill	√
Telescopic guides	-
Tray handle	√
Removable tank	√
Pizza stone	-
Roast kit	-