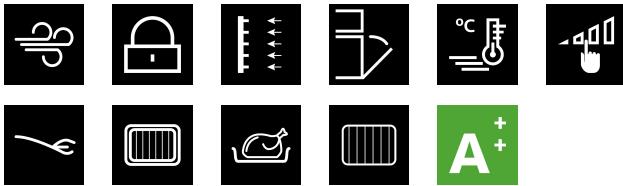




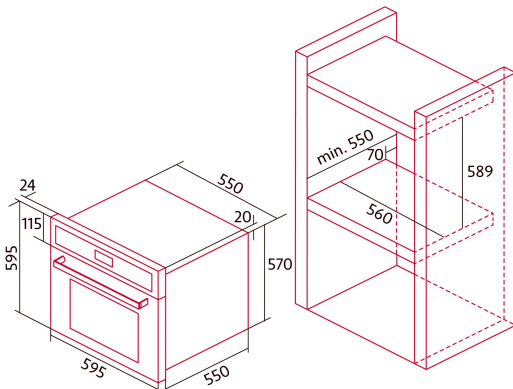
## NorChef MO 6800 CU

Cod. 2124

EAN 8435025721241



2114\_NorChef MO 6800 DB  
2118\_NorChef MO 6800 SW  
2124\_NorChef MO 6800 CU  
2128\_NorChef MO 6800 SS



### GENERAL INFORMATION

EAN/UPC	8435025721241
Subfamily	Multifunction

### Product sheet

Energy Efficiency Index (EEI)	96
Energy efficiency class	A
Energy consumption in conventional mode (kWh/cycle)	0,86
Energy consumption in fan mode (kWh/cycle)	0,79
Heat source	Electricity
Appliance mass [Kg]	31,5
Number of cavities	1
Cavity volume (L)	67

### Dimensions

Width (mm)	595
Height (mm)	595
Depth (mm)	550
Built-in width (mm)	595
Built-in height (mm)	595
Built-in depth (mm)	550

### Controls

Control type	Touch control
Display	LCD
Number of functions	10
Functions	Light;Turbo heating;Double Grill;Defrosting;Fast preheat;Double grill with fan;Grill;Top and bottom heating with fan;Top heating with fan;3D cooking;Bottom heating;Top and bottom heating
Timer	Electronic
On/off indicator	√
Thermostat indicator	√
Minimum temperature [°C]	50
Maximum temperature [°C]	250
Thermal probe	-

### Characteristics

Enamel	Black
Drop down grill	-
Removable inner glass	√
Number of light bulbs	15
Bulb power [W]	1
Number of door glasses	2
Manual door lock	-
Soft close	√
Cavity type	Flat
Side racks	√
Levels	5
Telescopic guides	0,75
Convection fan	√

### Safety

Cooling fan	√
Overheating protection	√
Automatic safety shutdown	-
Pyrolysis door lock	-
Pyrolysis lock indicator	-

### Electrical connection

Power of the upper heating element [W]	1000
Lower power of the heating element [W]	1200
Turbocharger power [W]	2100
Nominal voltage (V)	220-240
Nominal frequency (Hz)	50
Nominal input power (W)	3650
Electric shock protection	Class I
Power cord length (m)	1,2
Plug type	No plug

---

**Accessories**

Flat tray	-
Deep tray	√
Steam tray	-
Grill	√
Inner grill	√
Telescopic guides	√
Tray handle	√
Removable tank	-
Pizza stone	-
Roast kit	-

---