



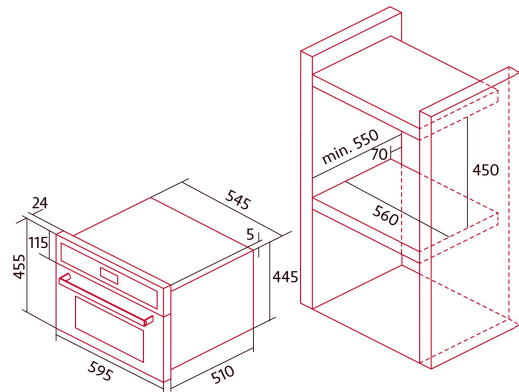
NorChef SO 4800 SW

Cod. 2120

EAN 8435025721203



2116_NorChef SO 4800 DB
2120_NorChef SO 4800 SW
2125_NorChef SO 4800 CU



GENERAL INFORMATION

EAN/UPC	8435025721203
Subfamily	Steam

Product sheet

Energy efficiency class	A+
Energy consumption in conventional mode (kWh/cycle)	510
Energy consumption in fan mode (kWh/cycle)	DGC-28YB1-H116-C45
Number of cavities	1se
Cavity volume (L)	36t_in

Dimensions

Width (mm)	595
Height (mm)	Fast_preheat:Steam with grill and fan;Light:Defrosting;Double Grill:Steam:Steam and turbo heating;Top heating with fan;Turbo heating
Depth (mm)	510
Built-in width (mm)	595
Built-in height (mm)	TINON
Built-in depth (mm)	510

Controls

Control type	1ch control
Display	LCD
Number of functions	8
Timer	Electronic
On/off indicator	HR3131133
Thermostat indicator	√
Minimum temperature [°C]	30
Maximum temperature [°C]	225
Maximum steam temperature [°C]	100
Thermal probe	270

Characteristics

Enamel	No
Drop down grill	-
Removable inner glass	√
Number of light bulbs	15
Bulb power [W]	1e
Number of door glasses	3
Manual door lock	-
Soft close	-
Cavity type	Electronic
Side racks	650
Levels	4
Telescopic guides	No

Safety

Cooling fan	√
Automatic safety shutdown	-
Pyrolysis door lock	-
Pyrolysis lock indicator	220-240

Electrical connection

Lower power of the heating element [W]	0
Turbocharger power [W]	1600
Nominal voltage (V)	135
Nominal frequency (Hz)	50
Nominal input power (W)	3050
Power cord length (m)	1,2

Accessories

Flat tray	Touch control
Deep tray	√
Steam tray	√
Grill	No
Inner grill	√
Telescopic guides	-
Tray handle	√
Removable tank	√
Roast kit	-