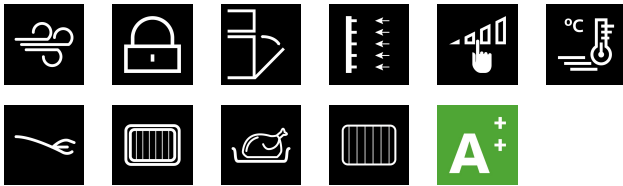




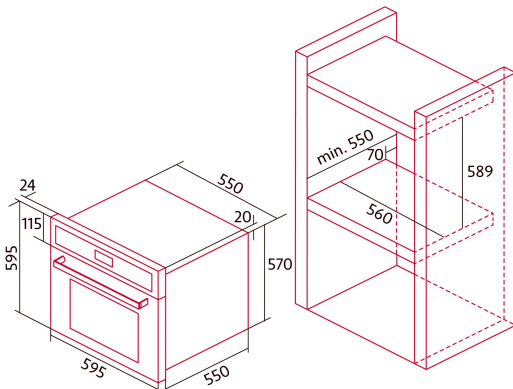
NorChef MO 6800 DB

Cod. 2114

EAN 8435025721142



2114_NorChef MO 6800 DB
2118_NorChef MO 6800 SW
2124_NorChef MO 6800 CU
2128_NorChef MO 6800 SS



GENERAL INFORMATION

EAN/UPC	8435025721142
Subfamily	Multifunction

Product sheet

Energy Efficiency Index (EEI)	96
Energy efficiency class	A
Energy consumption in conventional mode (kWh/cycle)	0,86
Energy consumption in fan mode (kWh/cycle)	0,79
Heat source	Electricity
Appliance mass [Kg]	31,5
Number of cavities	1
Cavity volume (L)	67

Dimensions

Width (mm)	595
Height (mm)	595
Depth (mm)	550
Built-in width (mm)	595
Built-in height (mm)	595
Built-in depth (mm)	550

Controls

Control type	Touch control
Display	LCD
Number of functions	10
Functions	Double_Grill;Defrosting;Fast preheat;Light;Turbo heating;Bottom heating;Top and bottom heating;3D cooking;Top and bottom heating with fan;Top heating with fan;Double grill with fan;Grill
Timer	Electronic
On/off indicator	√
Thermostat indicator	√
Minimum temperature [°C]	50
Maximum temperature [°C]	250
Thermal probe	-

Characteristics

Enamel	Black
Drop down grill	-
Removable inner glass	√
Number of light bulbs	15
Bulb power [W]	1
Number of door glasses	2
Manual door lock	-
Soft close	√
Cavity type	Flat
Side racks	√
Levels	5
Telescopic guides	0,75
Convection fan	√

Safety

Cooling fan	√
Overheating protection	√
Automatic safety shutdown	-
Pyrolysis door lock	-
Pyrolysis lock indicator	-

Electrical connection

Power of the upper heating element [W]	1000
Lower power of the heating element [W]	1200
Turbocharger power [W]	2100
Nominal voltage (V)	220-240
Nominal frequency (Hz)	50
Nominal input power (W)	3650
Electric shock protection	Class I
Power cord length (m)	1,2
Plug type	No plug

Accessories

Flat tray	-
Deep tray	√
Steam tray	-
Grill	√
Inner grill	√
Telescopic guides	√
Tray handle	√
Removable tank	-
Pizza stone	-
Roast kit	-
